

ASSEMBLY INSTRUCTION

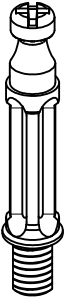
WARDROBE HUH



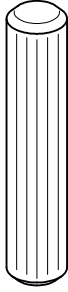
radis

NATURAL COMPACT LIVING

WWW.RADIS.EE



X26



X50



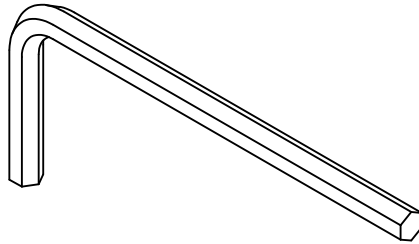
X26



X4



X9



X1



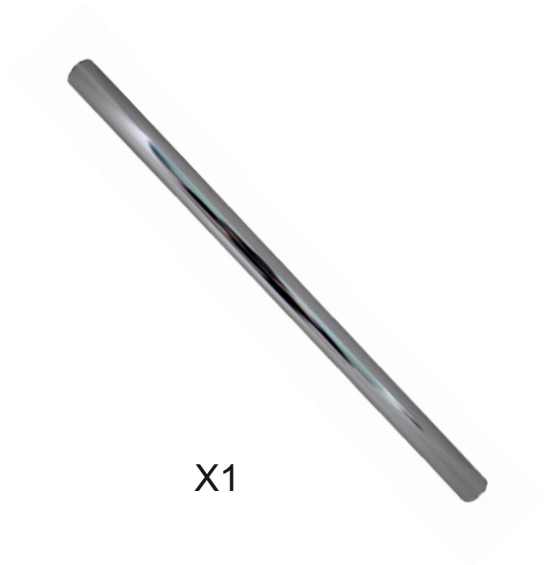
X12



X2

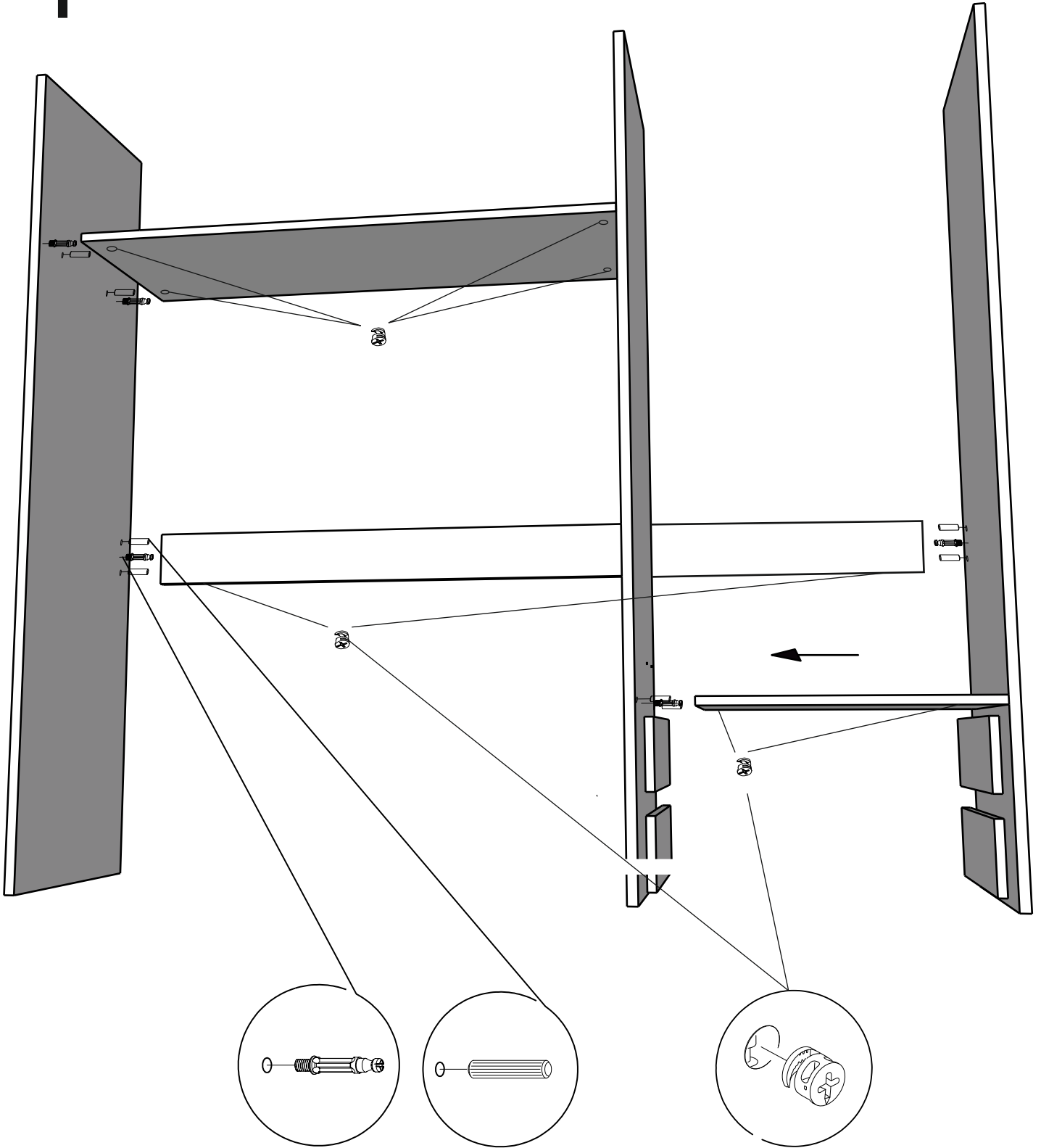


X4



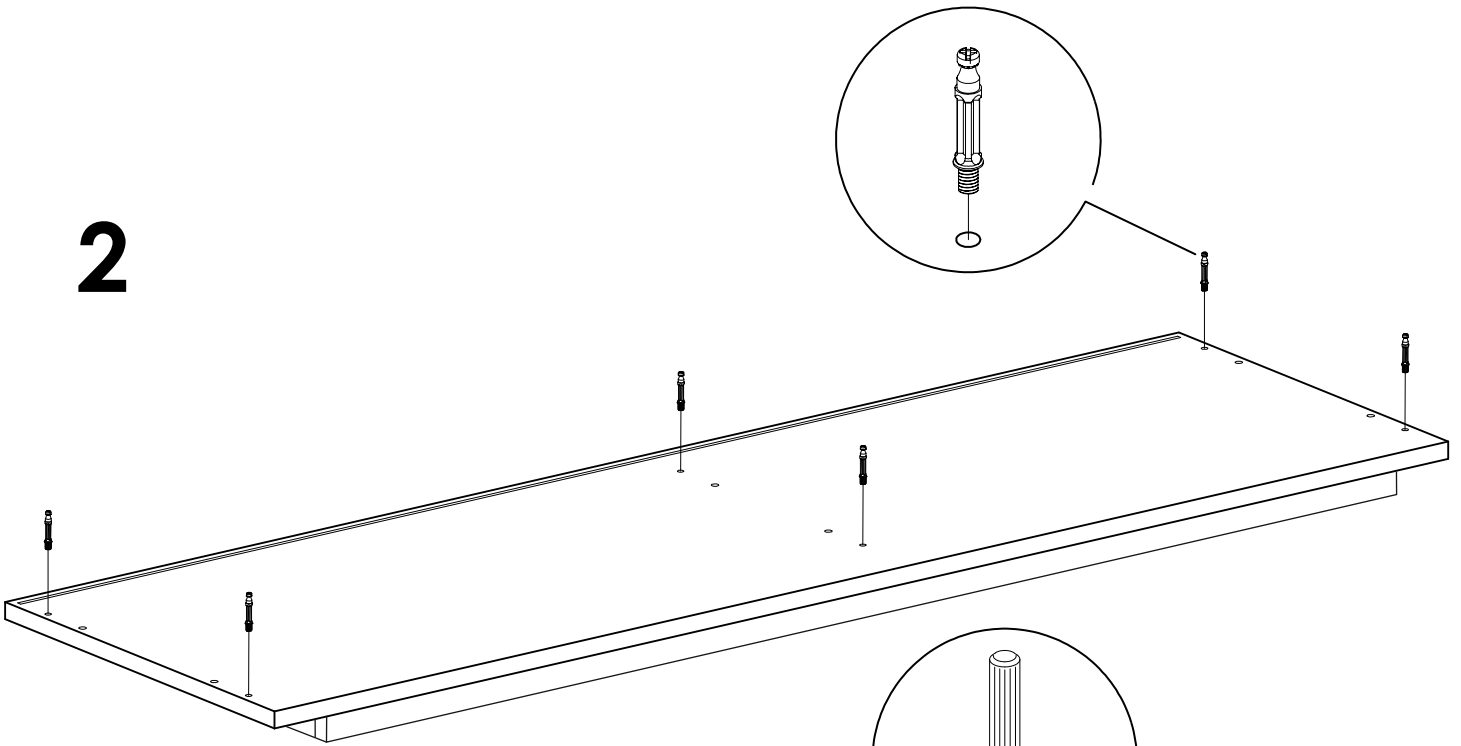
X1

1

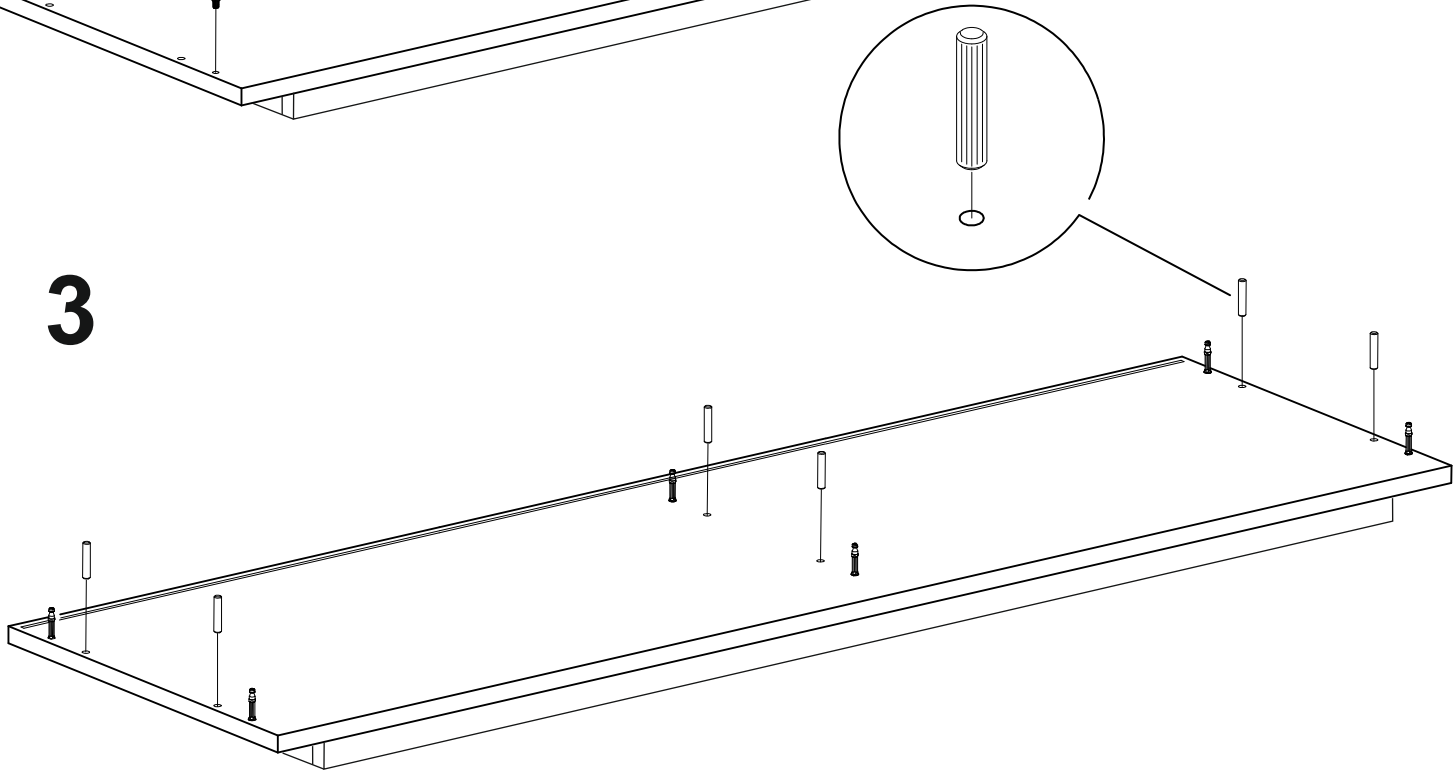


Note! If 2 doors wardrobe, then wider detail (431 x 570mm) will go on right side.

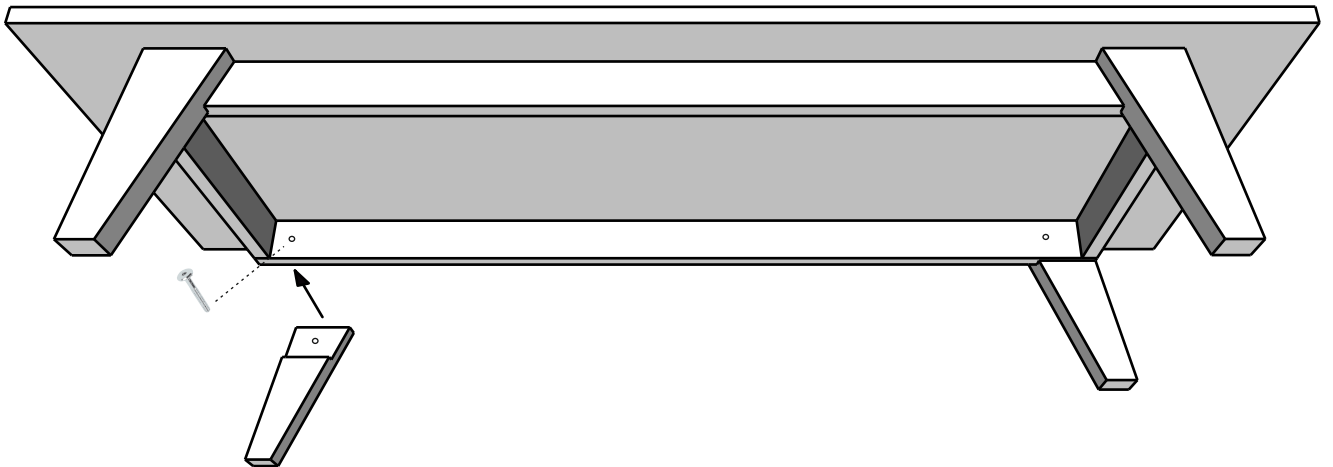
2



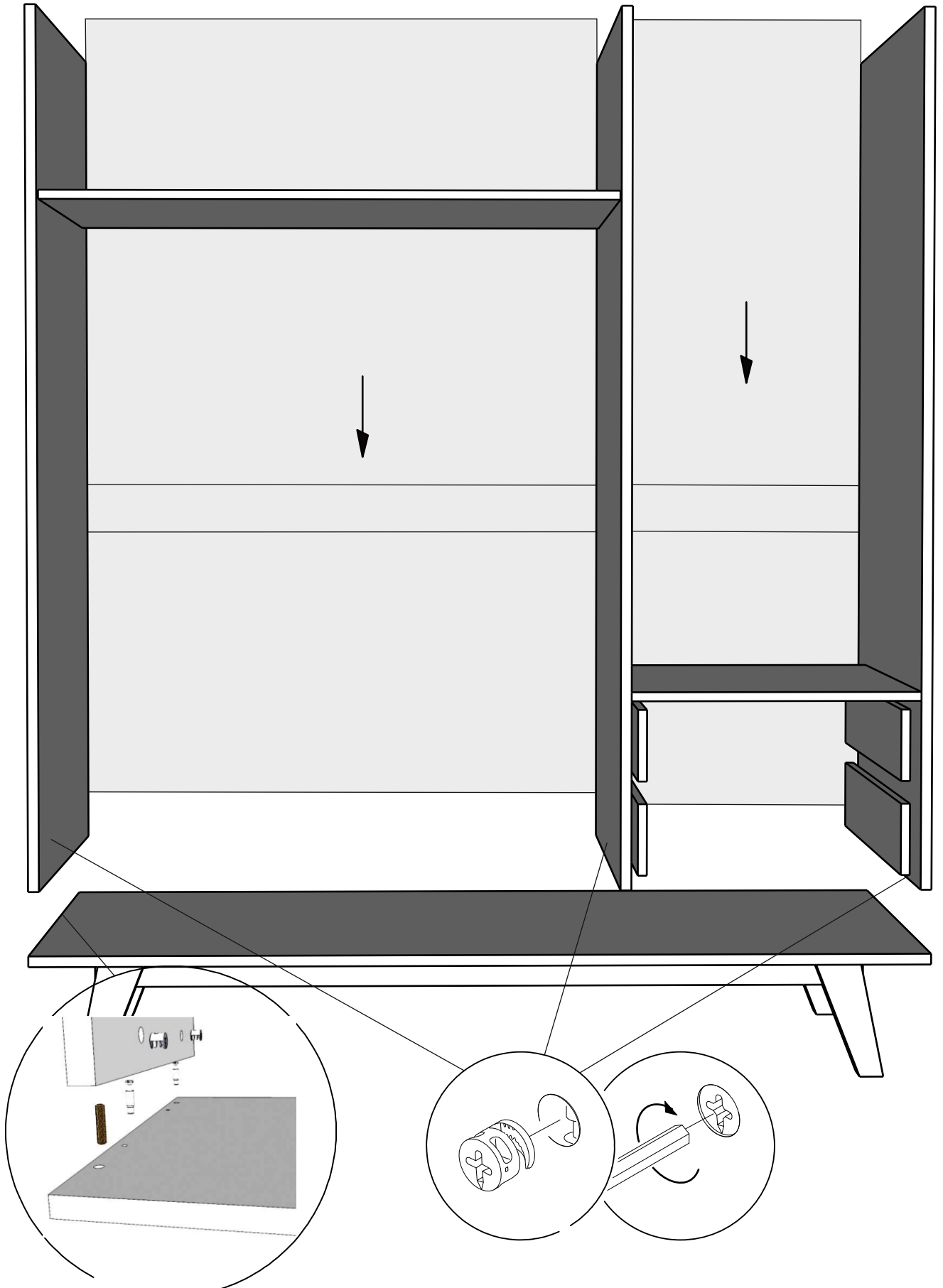
3



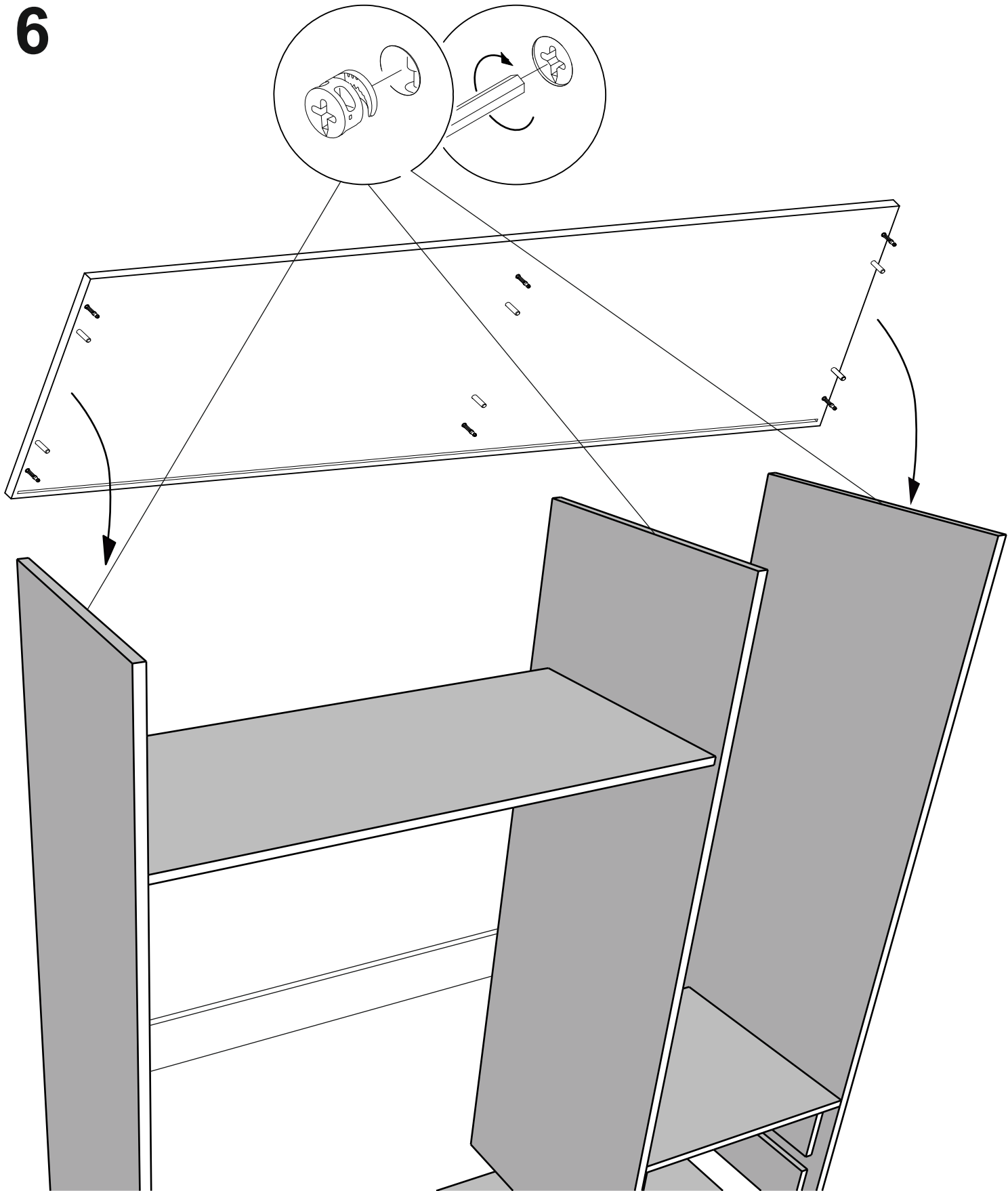
4



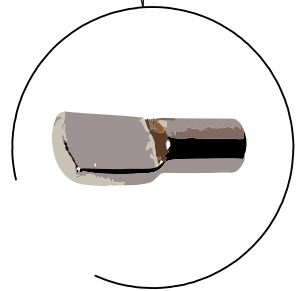
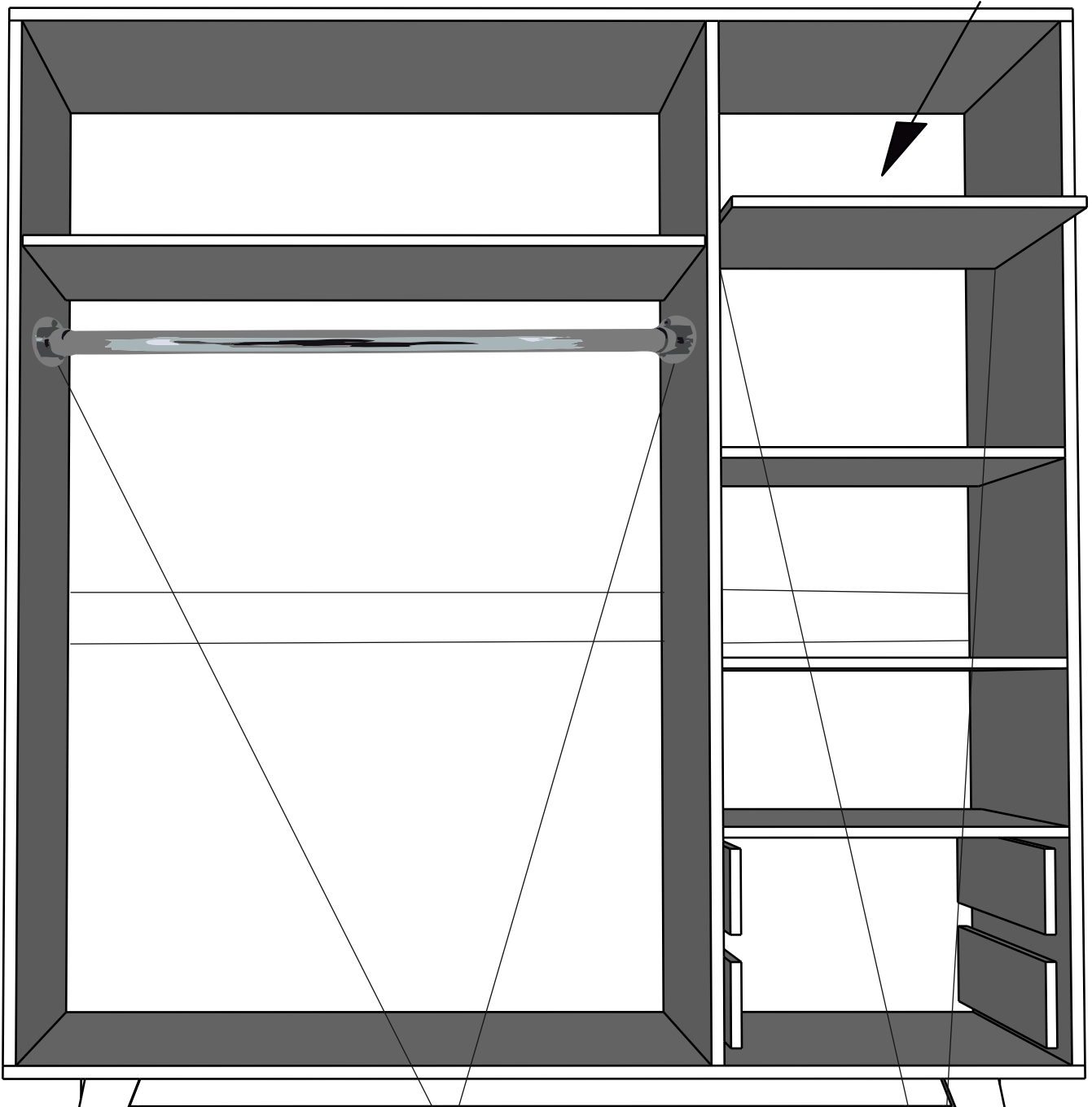
5



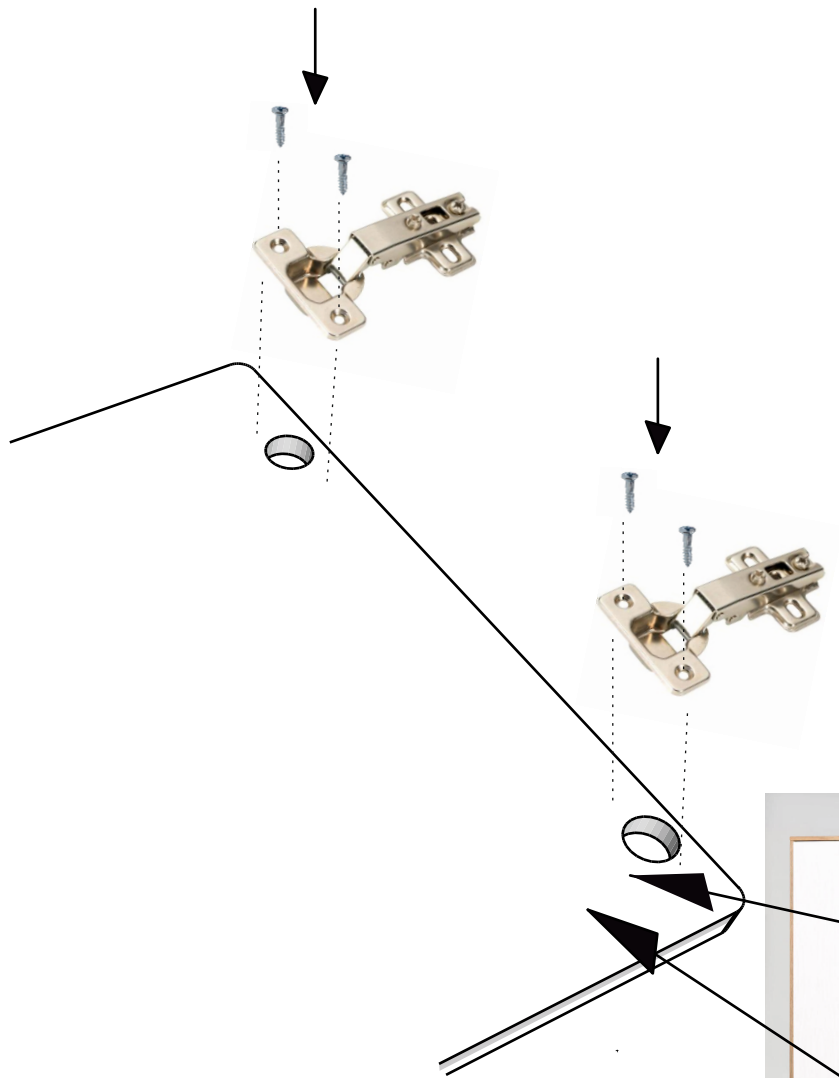
6



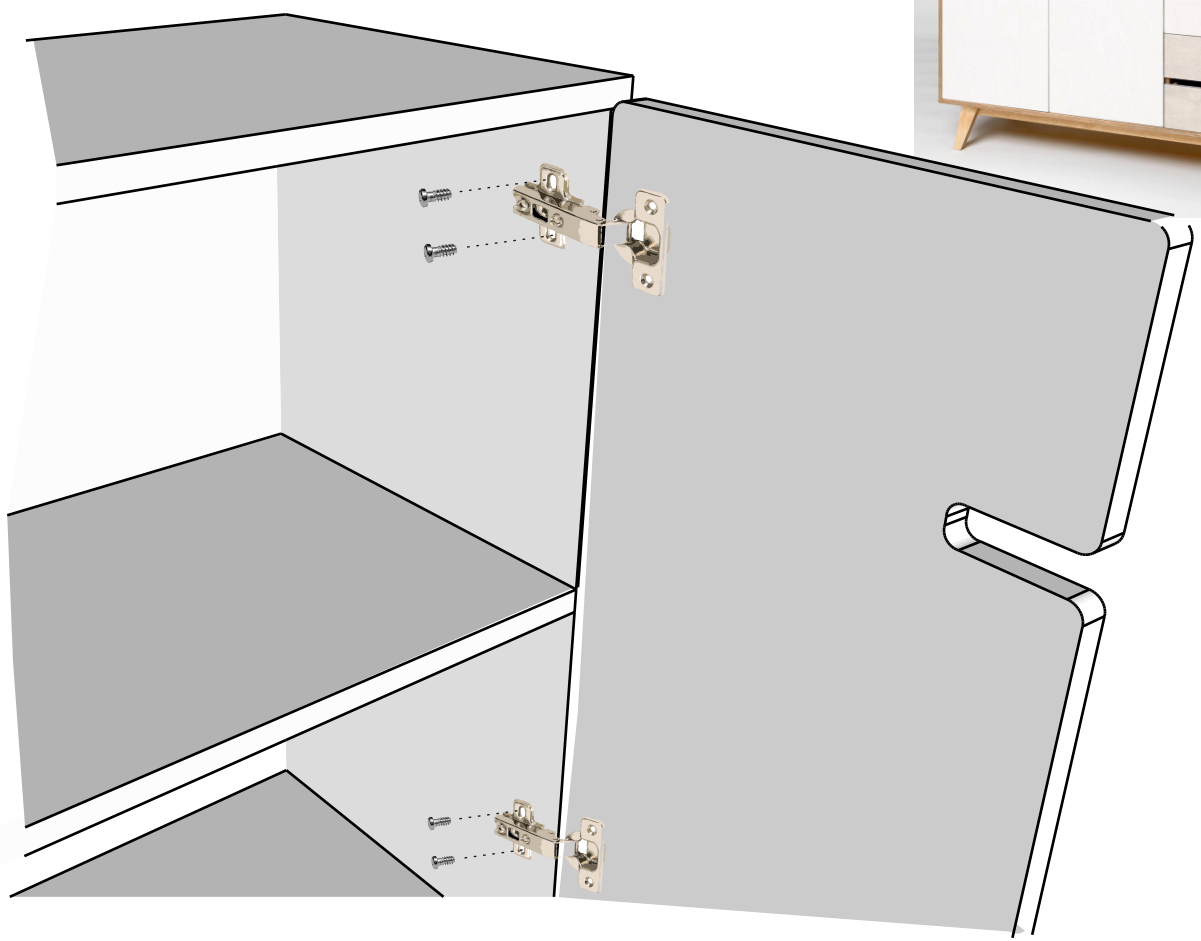
7



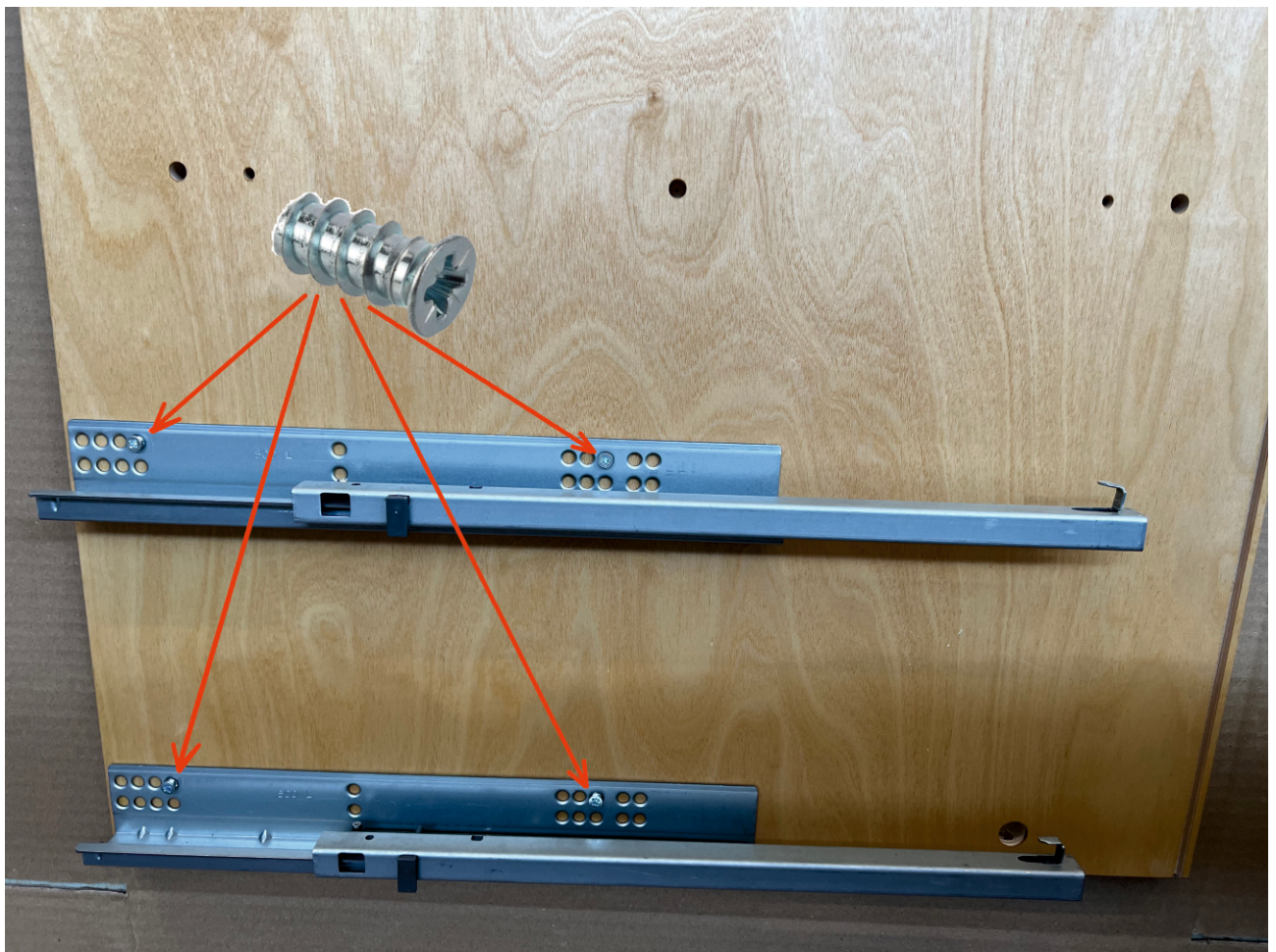
8



9



10



FIX BACKPANELS WITH SCREWS

11

